



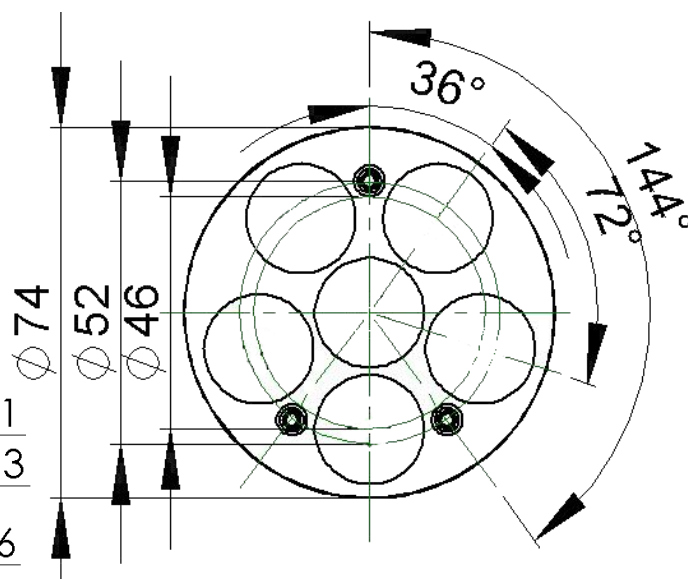
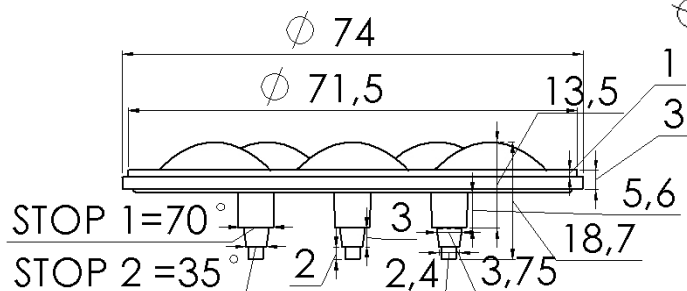
ANGLE	CODE
35 ° & 70 °	6B3570D



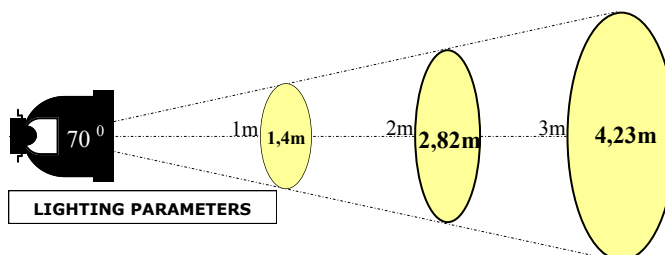
LED Type



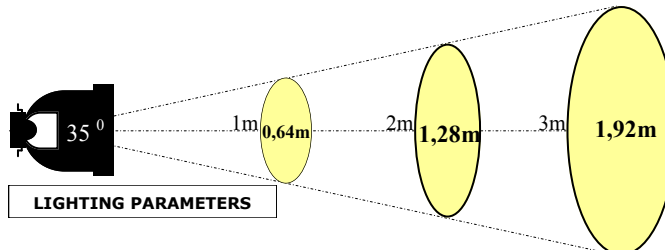
BOX QUANTITI	90 PCS
BOX SIZE	23 X 23 X 14 CM
BOX WEIGHT	2,210 Kg



STOP 1 = 70 DEGREE



STOP 2 = 35 DEGREE



TURLENS USE: Street Lighting , Office Lighting , Home Lighting , Stage Lighting ,
Architectural Lighting , Down Light Lighting , Decorative Lighting

Lens INFO

Lens Material : Optical Grade Best Available Optical Efficiency

Lens Material : with high UV & Temperature Resistance -40°C ~ + 100°C

Lens Material : Light Transmittance High Productivity weth 2mm Thickness

